

sizes

65"

75"

86"



Electrical Mobile Stand EST01

Adjustable Agility

Need a higher viewing position? Or to lower your panel for younger students to reach?

No Problem adjust the height of your panel freely while also being able to teach from anywhere in the room with the height adjustable mobile stand.

Ideal for multi functioning spaces.



Adjust the Height Freely

Simplistic design / Stable and Durable / Tray Storage



Adjust the Height Freely

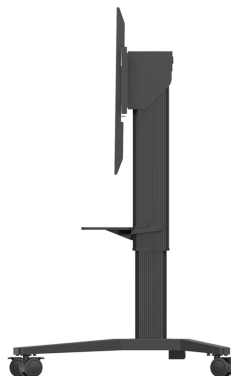
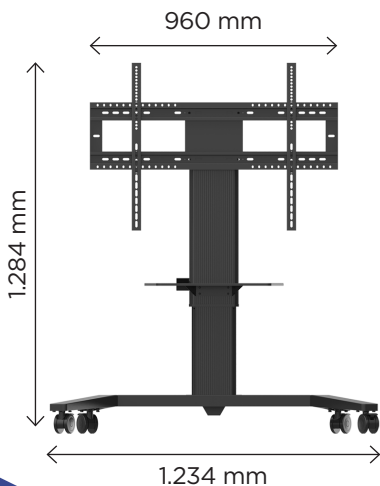
Supports height adjustability with software or remote control, adjusting the height of your tutortouch panel for the best viewing experience for your audience.



Smooth Castors

The latest wheel design makes it extremely easy to move any size interactive panel with a 360-degree rotation.

PHYSICAL SPECIFICATIONS		
Dimension (L×W×H) (mm)	1234 × 844 × (1284 - 1784)	
Dimension with Package (L×W×H) (mm)	1366 × 933 × 280	
Net Weight (kg)	49.2	
Gross Weight (kg)	55	
Max Load (kg)	100	
Power Requirements	100 - 220V - 50/60Hz	
Lifting Distance (mm)	500	
Control Mode	Control Panel / Control Pad / Software	
Max Load Size	Recommend no more than 75 inches	
Truckle Size and Truckle Type	3 inch	
Truckle Type (mute / Non-mute)	mute	
Support Wall-hanging	Standard	1
	Compatible	9060A / 9060F
ACCESSORIES		
Control Pad	1 pcs	
AC Power Cable	1 pcs	
Quick Start Guide	1 pcs	
Installation Manual	1 pcs	
USB Adapter Cable	1 pcs	
AC Power Adapter Cable	1 pcs	
Screw Accessory Package	1 pcs	
ENVIRONMENTAL CONDITIONS		
Operation Temperature	0°C - 40°C	
Operation Humidity	10% - 90%RH	
Storage Temperature	-20°C - 60°C	
Storage Humidity	10% - 90%RH	
Altitude	Below 5000 meters	



visit our website
for more

